



## BEACON LED LIGHT TOWER

### HORIZONTAL MAST (LE980LED-TX SERIES)

## REPLACEMENT PARTS GUIDE



For more information about the Beacon LED Tower: [www.beaconledtower.com](http://www.beaconledtower.com)

[www.lindequipment.net](http://www.lindequipment.net) | [info@lindequipment.net](mailto:info@lindequipment.net) | T: 877.475.LIND



## SAFETY PRECAUTIONS

**FAILURE TO FOLLOW THESE PRECAUTIONS COULD RESULT IN SERIOUS INJURY OR DEATH**

### MAINTENANCE PRECAUTIONS

- PERFORM DAILY INSPECTIONS OF THE EQUIPMENT TO ENSURE THAT NO DAMAGE EXISTS THAT MIGHT INTERFERE WITH SAFE OPERATIONS
- ENSURE THAT ANY DAMAGED COMPONENTS ARE REPLACED OR REPAIRED IMMEDIATELY USING FACTORY APPROVED PARTS
- BEFORE PERFORMING ANY MAINTENANCE TASKS, ENSURE THAT LIGHT TOWER HAS BEEN DISCONNECTED FROM ALL POWER SOURCES
- REMOVE ALL GENERATORS AND SOURCES OF FUEL FROM THE CABINET AND SURROUNDINGS AREA BEFORE UNDERTAKING ANY MAINTENANCE
- ONLY SKILLED TECHNICIANS WHO ARE FAMILIAR WITH THE OPERATION OF THE LED LIGHT TOWER SHOULD PERFORM MAINTENANCE TASKS ON THE LIGHT TOWER

### OPERATING PRECAUTIONS

- DO NOT DEPLOY THE MAST IF THERE IS EXPECTATION OF HEAVY WINDS
- ENSURE THAT THE BEACON LED TOWER IS MADE LEVEL BEFORE DEPLOYING THE MAST. STABILIZATION JACKS CAN BE USED TO LEVEL THE UNIT
- DO NOT DEPLOY THE MAST UNTIL THE STABILIZATION JACKS HAVE BEEN EXTENDED FULLY AND ARE FIRMLY PLANTED ON THE GROUND
- KEEP CLOTHING, HAIR AND APPENDAGES CLEAR OF MOVING PARTS
- WHEN OPERATING THE MACHINE, DO NOT TOUCH HOT SURFACES OR EXPOSE COMBUSTABLE MATERIAL TO HOT SURFACES

## **TRANSPORTATION PRECAUTIONS**

- DO NOT TRANSPORT THE BEACON LED TOWER WITH FUEL INSIDE THE CABINET
- USE APPROPRIATE FUEL HANDLING PRECAUTIONS AT ALL TIMES WHEN TRANSPORTING AND OPERATING FUEL TANKS AND GENERATORS
- MAST MUST BE FULLY RETRACTED AND LIGHT HEAD ASSEMBLY LOWERED TO THE HORIZONTAL POSITION OR REMOVED ENTIRELY PRIOR TO TRANSPORT
- BEACON LED TOWER MUST BE TIED DOWN DURING TRANSPORTATION



## **ELECTRICAL PRECAUTIONS:**

### **FAILURE TO FOLLOW THESE PRECAUTIONS COULD RESULT IN ELECTROCUTION**

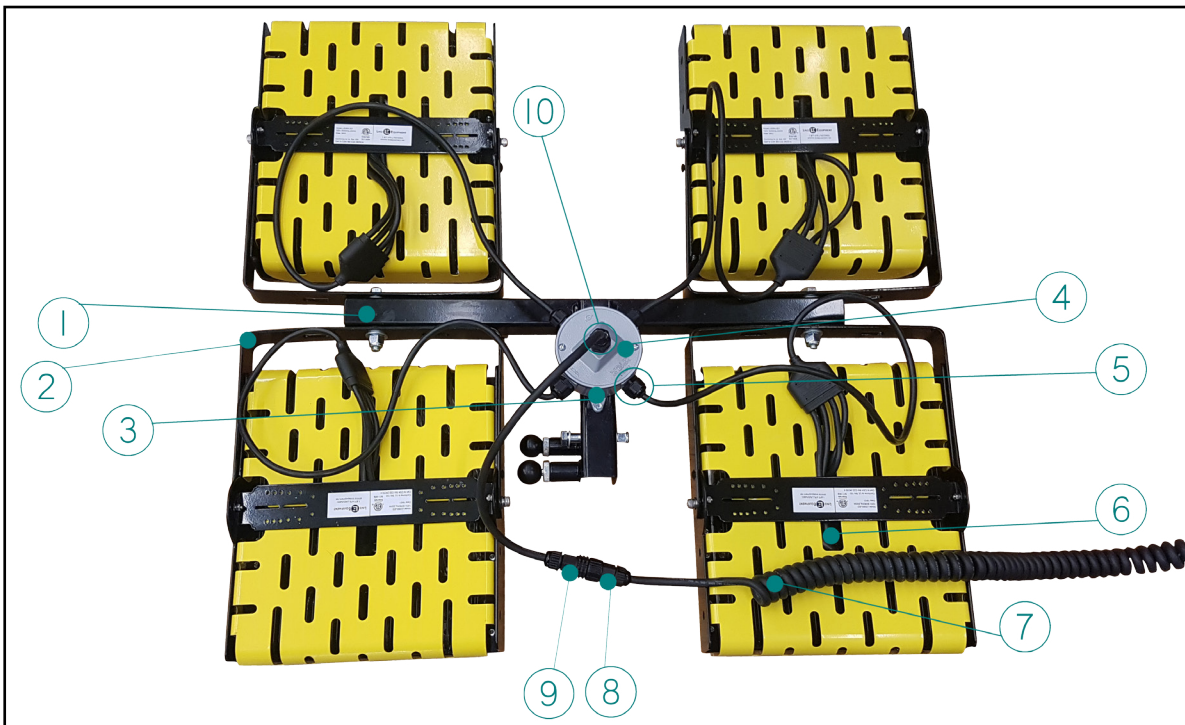
## **TRANSPORTATION PRECAUTIONS**

- ENSURE THAT THE UNIT IS CLEAR OF OVERHEAD WIRES AND OBSTRUCTIONS BEFORE DEPLOYING THE UNIT
- DO NOT USE UNIT IF ELECTRICAL CORDS ARE CUT OR WORN THROUGH
- DO NOT ALLOW WATER TO CONTACT LIVE ELECTRICAL COMPONENTS. REGULAR INSPECTIONS SHOULD BE UNDERTAKEN TO ENSURE THAT ELECTRICAL COMPONENTS ARE IN GOOD OPERATING CONDITION
- WHEN UTILIZING A GENERATOR WITH THE BEACON LED TOWER FOLLOW ALL OPERATING INSTRUCTIONS PROVIDED BY THE GENERATOR MANUFACTURER INCLUDING PROPER GROUNDING PROCEDURES

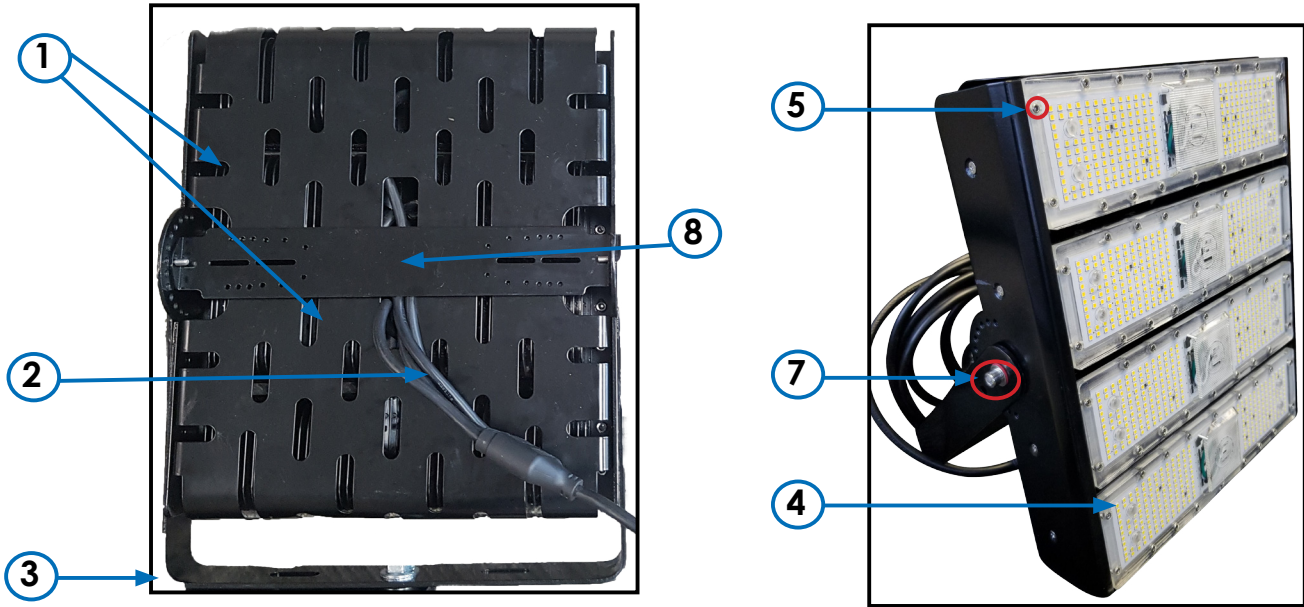
**LIGHT HEAD ASSEMBLY**

WHEN CALLING OR PLACING AN ORDER FOR PARTS, PLEASE MAKE SURE TO INCLUDE THE UNIT SERIAL #

	<b>PART NUMBER</b>	<b>DESCRIPTION</b>	<b>REQUIRED</b>
<b>1</b>	LE980LED-T-P4B	T-BAR WITH MOUNTING BRACKET	1
<b>2</b>	LE980LED-P2A	MOUNTING YOKE	1 per light
<b>3</b>	LE980LED-T-P6	JUNCTION BOX	1
<b>4</b>	LE980LED-T-P6A	JUNCTION BOX COVER	1
<b>5</b>	LE980LED-T-P18C	STRAIN RELIEF - SMALL	4
<b>6</b>	LE980LED	LED LIGHT HEAD WITH YOKE	2 or 4
<b>7</b>	LE980LED-T-P5	1/6/3 COILED CABLE FOR LED LIGHT CART	1
<b>8</b>	LE980LED-T-P31A	THREE WIRE CONNECTOR, BAYONNET STYLE LOCKING, FEMALE	1
<b>9</b>	LE980LED-T-P31B	THREE WIRE CONNECTOR, BAYONNET STYLE LOCKING, MALE	1
<b>10</b>	LE980LED-T-P18B	STRAIN RELIEF - MEDIUM	1
	LE980LED-T-LA2	ENTIRE 2 LIGHT HEAD ASSEMBLY - YELLOW	1
	LE980LED-T-LAB2	ENTIRE 2 LIGHT HEAD ASSEMBLY - BLACK	1
	LE980LED-T-LA4	ENTIRE 4 LIGHT HEAD ASSEMBLY - YELLOW	1
	LE980LED-T-LAB4	ENTIRE 4 LIGHT HEAD ASSEMBLY - BLACK	1



**LIGHT HEAD**

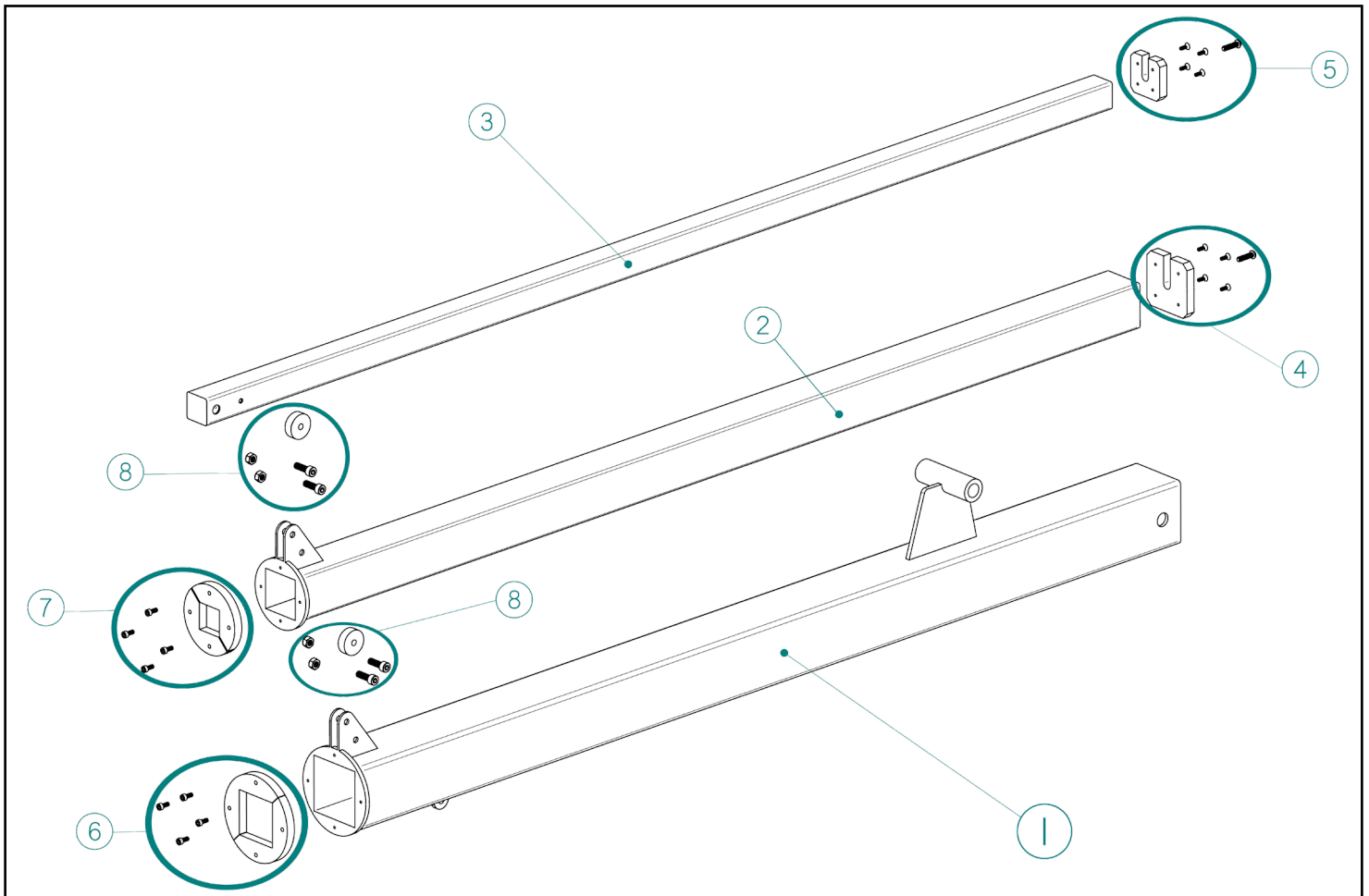


	<b><u>Part#</u></b>	<b><u>Description</u></b>
<b>1</b>	LE980LED-P10B	Set of black back covers for LE980LED
	LE980LED-P10Y	Set of yellow back covers for LE980LED
<b>2</b>	LE980LED-P103	4 wire cord set for LE980LED
<b>3</b>	LE980LED-P2A-B	Replacement yoke for LE980
<b>4</b>	LE980LED-P104	Polycarbonate lens
<b>5</b>	LE980LED-P105	Screw for polycarbonate lens (set of 18 screws for 1 lens)
<b>6</b>	LE980LED-P106	Gasket for polycarbonate lens (not shown)
<b>7</b>	LE980LED-P107	Screw for yoke
<b>8</b>	LE980LED-P108	Plate for covering for back panels

**MAST ASSEMBLY**

WHEN CALLING OR PLACING AN ORDER FOR PARTS, PLEASE MAKE SURE TO INCLUDE THE UNIT SERIAL #

	<b>PART NUMBER</b>	<b>DESCRIPTION</b>	<b>REQUIRED</b>
1	LE980LED-T-P1YM1	STAGE 1 MAST - YELLOW	1
	LE980LED-T-P1BM1	STAGE 1 MAST - BLACK	1
2	LE980LED-T-P1YM2	STAGE 2 MAST - YELLOW	1
	LE980LED-T-P1BM2	STAGE 2 MAST - BLACK	1
3	LE980LED-T-P1YM3	STAGE 3 MAST - YELLOW	1
	LE980LED-T-P1BM3	STAGE 3 MAST - BLACK	1
4	LE980LED-T-P1D1	PLASTIC MAST BUSHING - STAGE 2 MAST	1
5	LE980LED-T-P1D2	PLASTIC MAST BUSHING - STAGE 3 MAST	1
6	LE980LED-T-P1D3	PLASTIC MAST COLLAR - STAGE 1 MAST	1
7	LE980LED-T-P1D4	PLASTIC MAST COLLAR - STAGE 2 MAST	1
8	LE980LED-T-P8	PULLEY - 3/16" CABLE X 1 1/2" DIAMETER SHEAVE	1

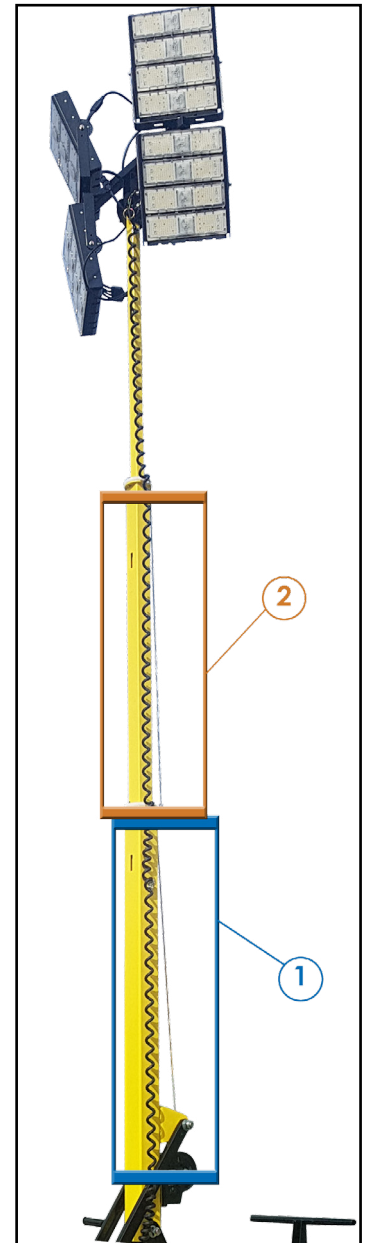




**WINCH CABLES**

WHEN CALLING OR PLACING AN ORDER FOR PARTS, PLEASE MAKE SURE TO INCLUDE THE UNIT SERIAL #

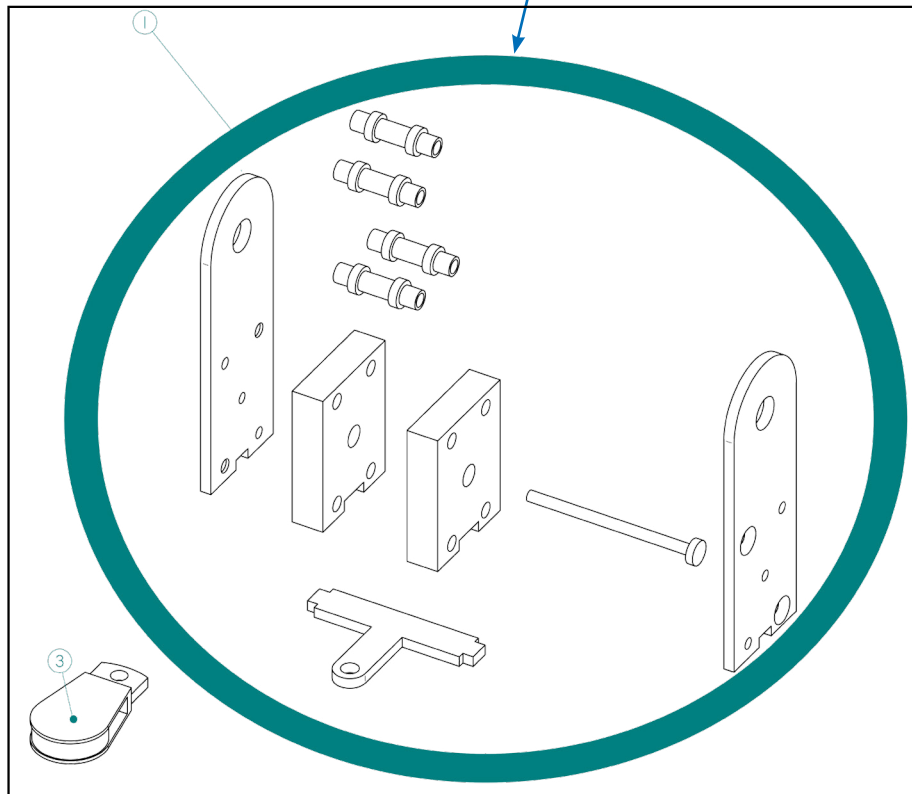
	<b>PART#</b>	<b>DESCRIPTION</b>	<b>QTY</b>
<b>1</b>	LE980LED-T-P21A	REPLACEMENT WINCH CABLE FOR STAGE 1 MAST	1
<b>2</b>	LE980LED-T-P21B	REPLACEMENT WINCH CABLE FOR STAGE 2 MAST	1
<b>3</b>	LE980LED-T-P21C	REPLACEMENT WINCH CABLE FOR VERTICAL LIFT	1



**MAST SLIDER ASSEMBLY**

WHEN CALLING OR PLACING AN ORDER FOR PARTS, PLEASE MAKE SURE TO INCLUDE THE UNIT SERIAL #

	<b><u>PART NUMBER</u></b>	<b><u>DESCRIPTION</u></b>	<b><u>REQUIRED</u></b>
<b>1</b>	LE980LED-T-P1SLIDER	SLIDER ASSEMBLY	1
<b>2</b>	LE980LED-T-P15	FIXED BLOCK PULLEY - 3/16" CABLE x 1-1/2" DIAMETER SHEAVE	1





## MAIN CHASSIS ASSEMBLY

WHEN CALLING OR PLACING AN ORDER FOR PARTS, PLEASE MAKE SURE TO INCLUDE THE UNIT SERIAL #

IF THE WHEELS ARE MOUNTED ON CASTERS, USE THIS PART LIST.  
IF NOT PLEASE CALL US

	<b>PART NUMBER</b>	<b>DESCRIPTION</b>	<b>REQUIRED</b>
<b>1</b>	LE980LED-T-P1YC	ENCLOSURE DOOR - YELLOW	2
	LE980LED-T-P1BC	ENCLOSURE DOOR - BLACK	
<b>2</b>	LE980LED-T-P36	OUTRIGGERS ASSEMBLY (JACK AND SLIDING BRACKET)	4
<b>3</b>	LE980LED-T-P30	FUEL TANK SHELF (GRAVITY FEED CARTS ONLY)	1
<b>4</b>	LE980LED-T-P1A5	MAST STABILIZING BARS / SWING ARMS	2
<b>5</b>	N/A	MAST ASSEMBLY (SEE MAST ASSEMBLY PARTS IN PAGE # 6)	N/A
<b>6</b>	LE980LED-T-P3	WINCH	2
<b>7</b>	LE980LED-T-P1C1	CENTER PANEL FOR TOWER LIGHT	1
<b>8</b>	LE980LED-T-P1C2	CENTER PANEL SUPPORT BRACKET- RIGHT SIDE	1
	LE980LED-T-P1C3	CENTER PANEL SUPPORT BRACKET- LEFT SIDE	1
<b>9</b>	LE980LED-T-P2	WHEEL	4
<b>10</b>	LE980LED-T-P2SC	SWIVEL CASTER FOR LED LIGHT TOWER	2
<b>11</b>	LE980LED-T-P2FC	FIXED CASTER FOR LED LIGHT TOWER	2
<b>12</b>	LE980LED-T-P34	SPRING LOADED "POP PIN", BALL HANDLE, ZINC PLATED	4
<b>13</b>	LE980LED-T-P1	LIGHT CART, NO WHEELS, WINCHES OR LIGHTS	1
<b>14</b>	LE980LED-T-P38	MAST SUPPORT	1
<b>NOT PICTURED</b>	LE980LED-T-P10	6 GALLON FUEL TANK (FUEL PUMP VERSION)	1
<b>NOT PICTURED</b>	LE980LED-T-P17	3 GALLON FUEL TANK (GRAVITY FEED VERSION)	1
<b>NOT PICTURED</b>	LE980LED-T-P26	SET OF SAFETY LABELS	1
<b>NOT PICTURED</b>	LEDB-P30	OUTLET BOX	1
<b>NOT PICTURED</b>	LE980LED-T-P18A	STRAIN RELIEF - FROM OUTLET BOX TO PLUG	1
<b>NOT PICTURED</b>	LE980LED-T-P18B	STRAIN RELIEF - FROM OUTLET BOX TO LIGHTS	1
<b>NOT PICTURED</b>	LEDB-P21	DUPLEX WEATHERPROOF COVER	1
<b>NOT PICTURED</b>	LE980LED-T-P7	GFCI PLUG AND SWITCH	1
<b>NOT PICTURED</b>	CALL LIND	AUXILIARY FUEL TANK HOOKUP - GENERATOR DEPENDANT	1

**MAIN CHASSIS ASSEMBLY**

